

WALL BED FACTORY

ASSEMBLY INSTRUCTIONS

REVERA MURPHY BED



REVERA HORIZONTAL
MURPHY BED



ELSA DROP TABLE
MURPHY BED

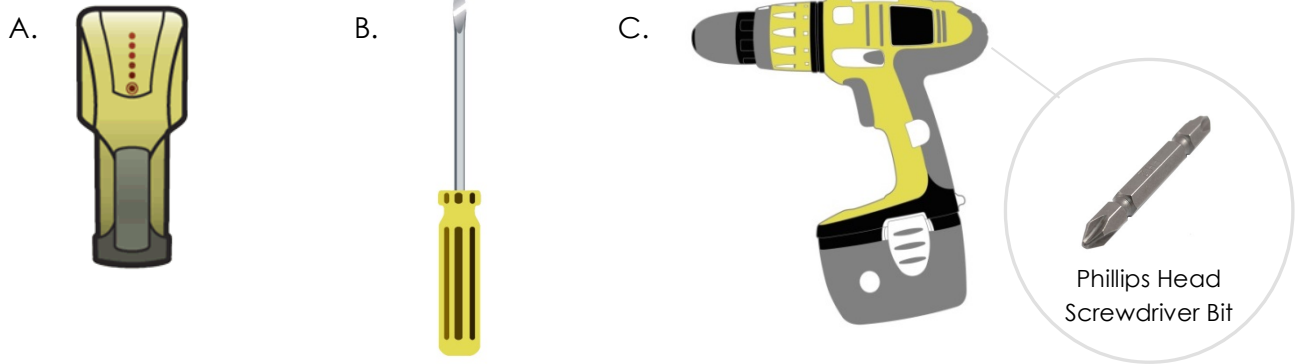


ELSA DROP TABLE HORIZONTAL
MURPHY BED



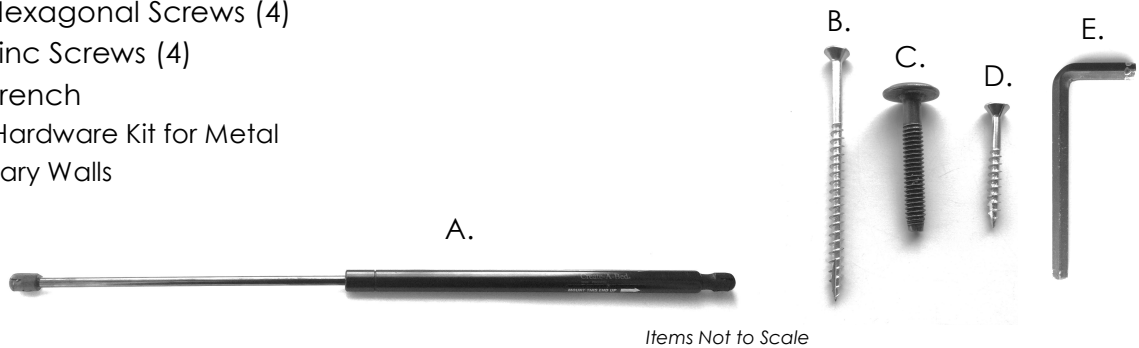
TOOLS NEEDED:

- A. Stud Finder
- B. Flathead Screwdriver
- C. Power Drill w/ Phillips Head Screwdriver Bit & Drill Bits



INCLUDED HARDWARE:

- A. Air Pistons (2)
 - B. 3" Sheet Rock Screws (4)
 - C. 1 5/8" Hexagonal Screws (4)
 - D. 1 1/2" Zinc Screws (4)
 - E. Allen Wrench
- OPTIONAL: Hardware Kit for Metal Stud/Masonry Walls



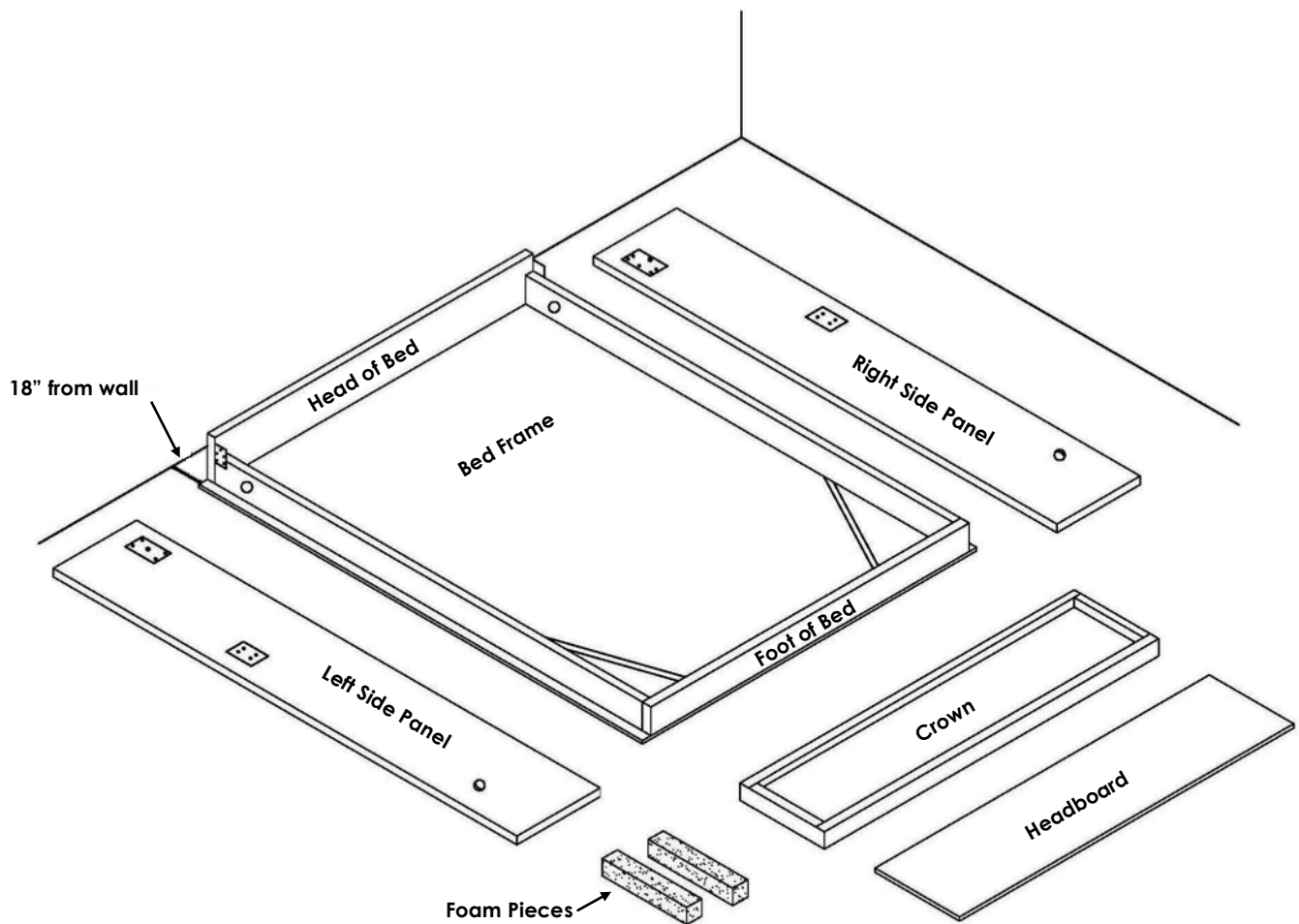
**Please make sure all hardware is included. If anything is missing, please call 1.800.975.8451.

PART A: Assembling Wall Bed

Step 1:

Remove Wall Bed from packaging (package includes 5 bed pieces). Retrieve 2 blue-green Foam Pieces from Side Panel packaging to use in a later step.

Determine where you want to position Wall Bed. Place Head of Bed 18" from wall. Lay out other pieces as shown below.



Step 2:

PARTS NEEDED: STUD FINDER, PENCIL, MEASURING TAPE

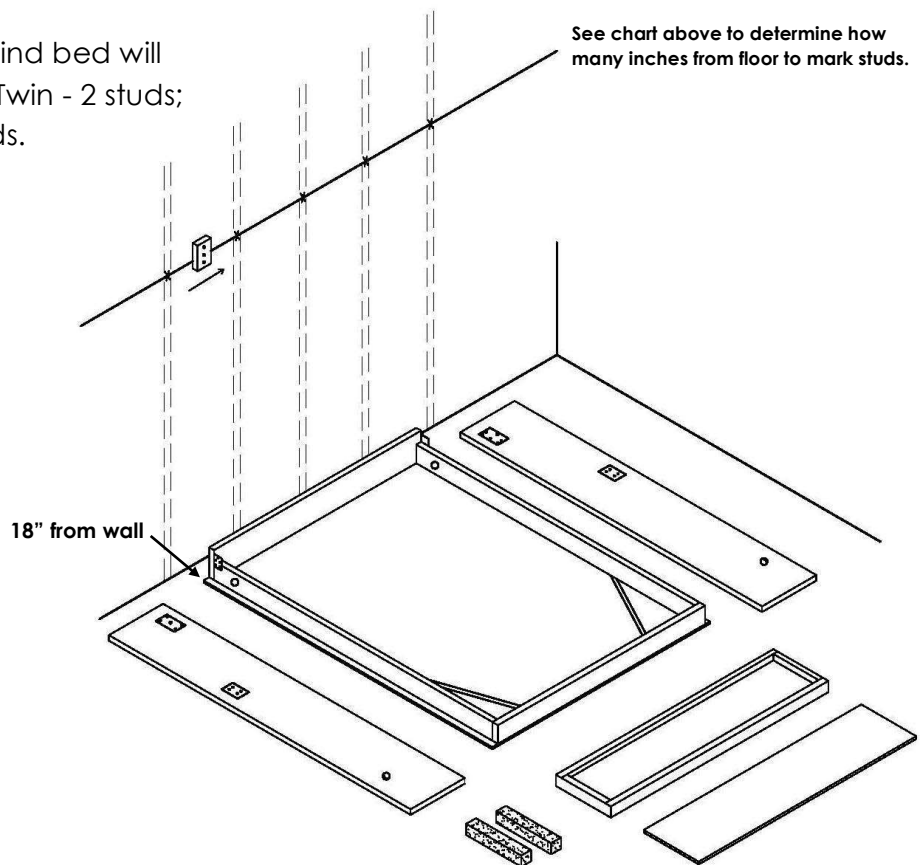
Use Stud Finder to find and mark location of 2-4* studs along wall across width of Wall Bed. Placement of marks will depend on bed size/type. Mark studs on wall at the following heights:

Vertical Beds		Horizontal Beds	
Twin	84"	Twin	48"
Twin XL	88"	Twin XL	48"
Full	84"	Full	64"
Queen	88"	Queen	68"
King	88"	King	86"
Cal King	92"	Cal King	82"

To locate studs:

1. Slide Stud Finder along wall behind Wall Bed until lights indicate a stud beneath.
2. Draw a line at this point.
3. Slide Stud Finder along wall in opposite direction, toward your line. When light indicates the other side of same stud, make a second line.
4. Mark an "x" between the 2 lines. This is the middle of the stud.
5. Repeat steps 1-4 until you have identified and marked 2-4* studs on wall behind Wall Bed.

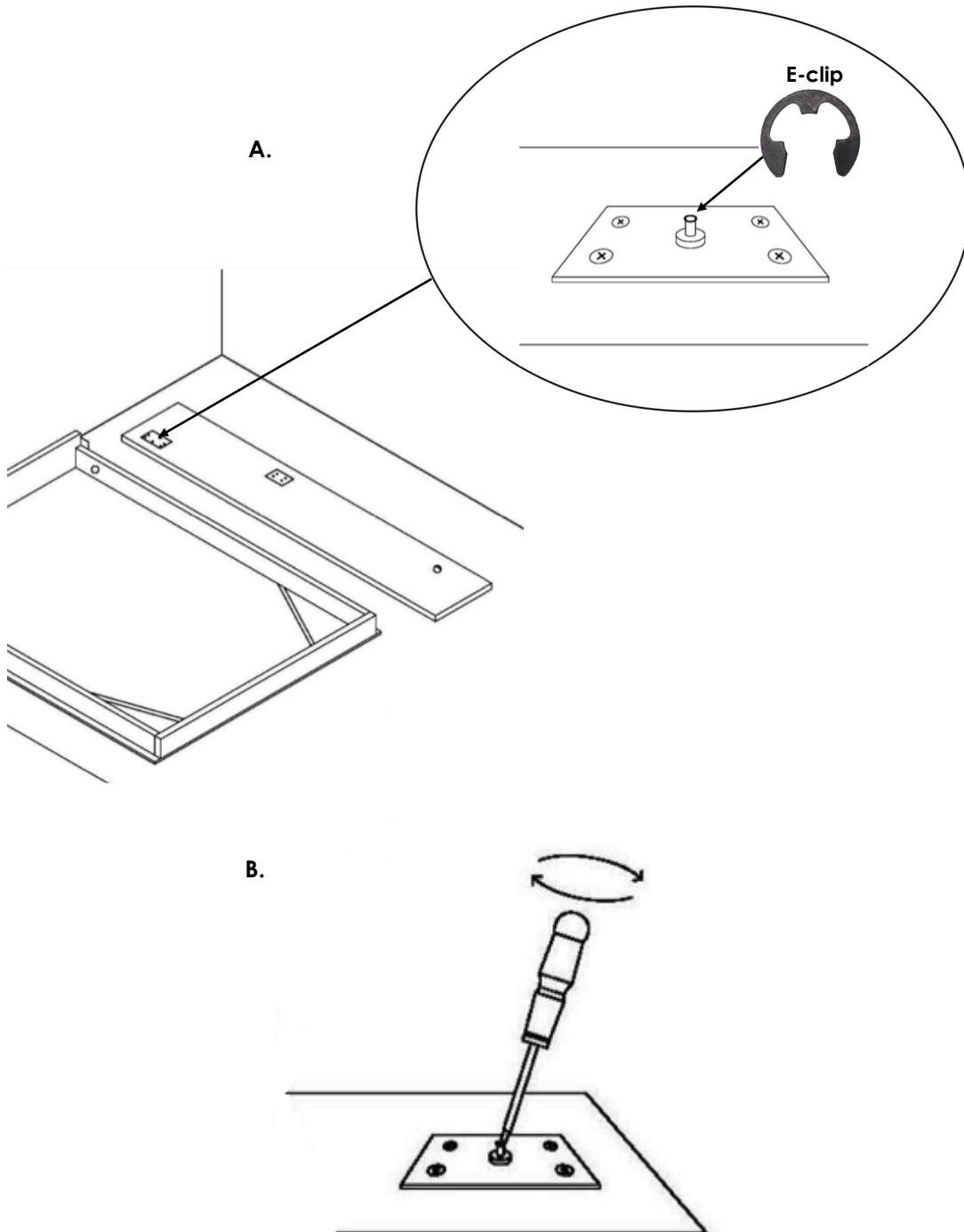
*The number of studs in wall behind bed will vary depending on size of bed: Twin - 2 studs; Full/Queen - 3 studs; King - 4 studs.



Step 3:

PARTS NEEDED: FLATHEAD SCREWDRIVER

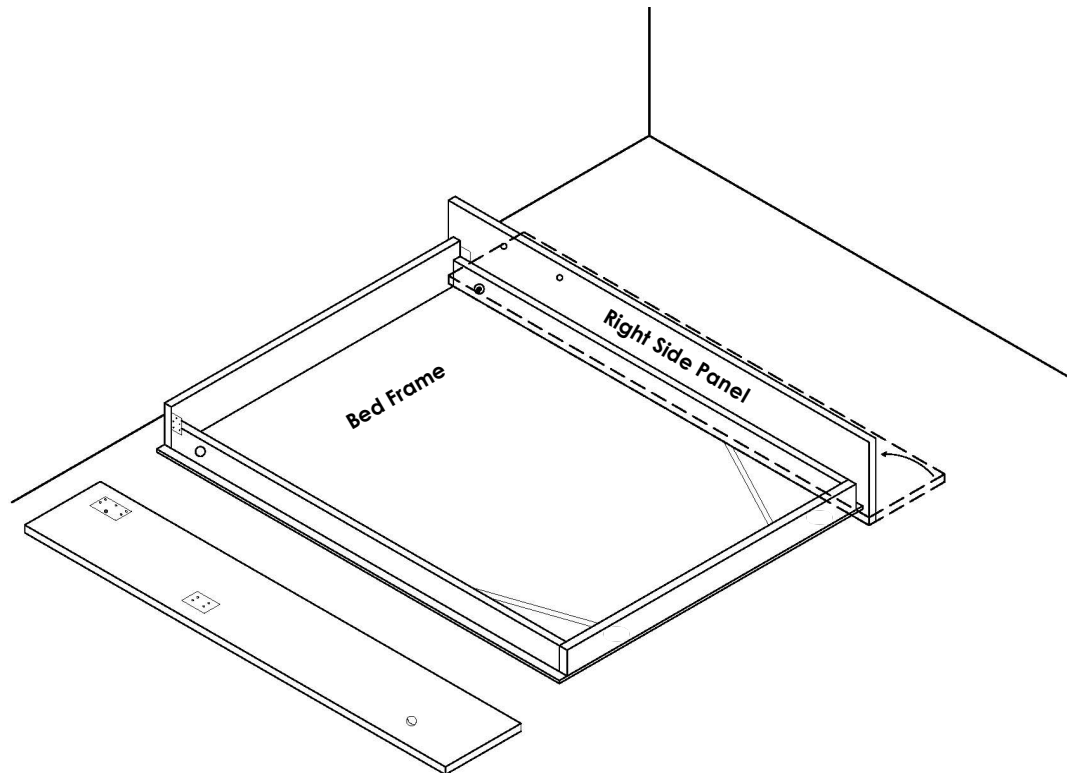
Remove E-clip from Right Side Panel (see A) by inserting Flathead Screwdriver between E-clip and Pivot Bar and rotating screwdriver 90° (see B).



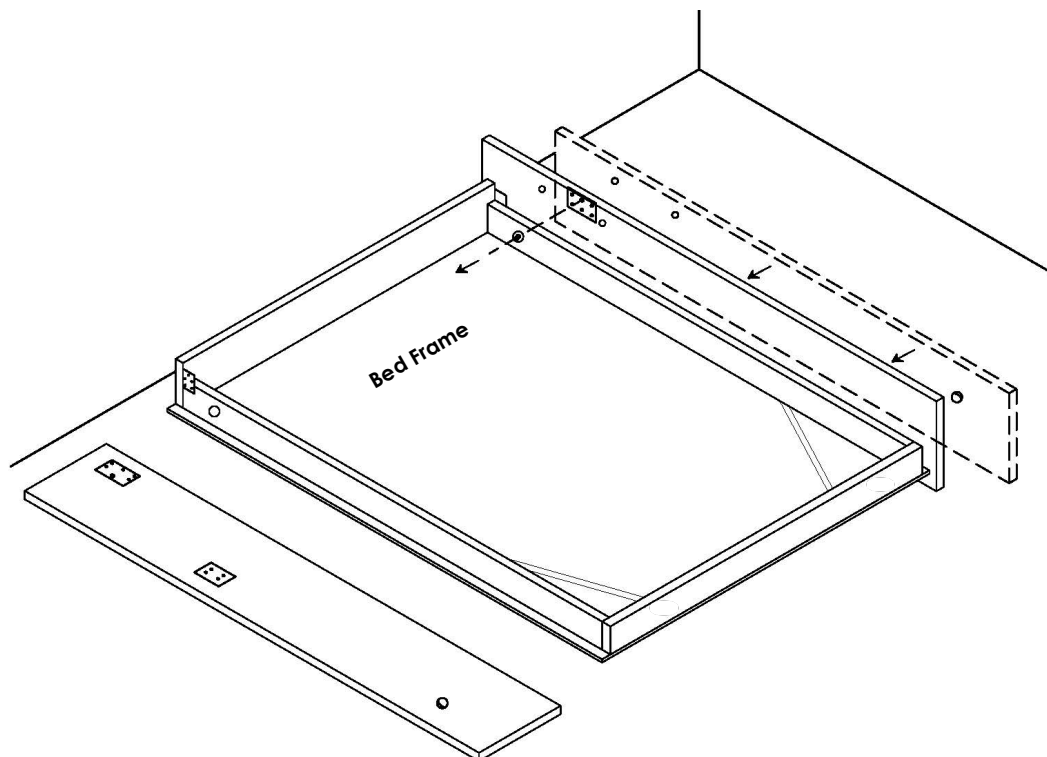
Step 4:

Lift Right Side Panel onto its long edge (see A) and slide toward Bed Frame, inserting Pivot Bar through metal plate on Bed Frame (see B).

A.

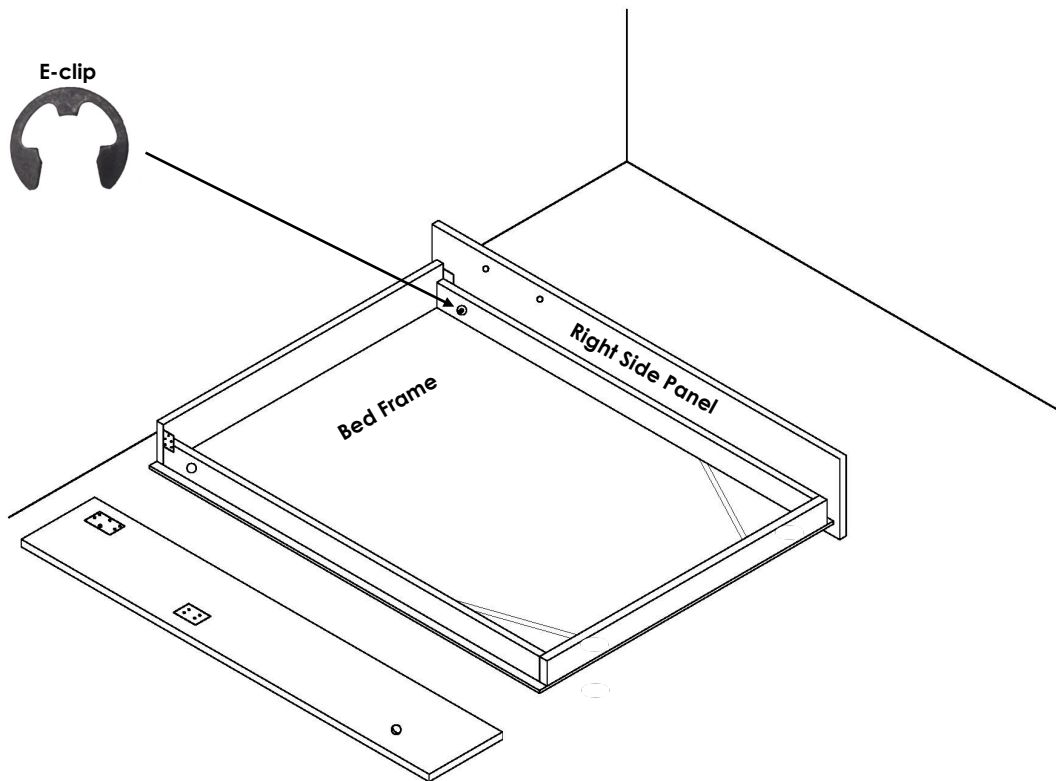


B.



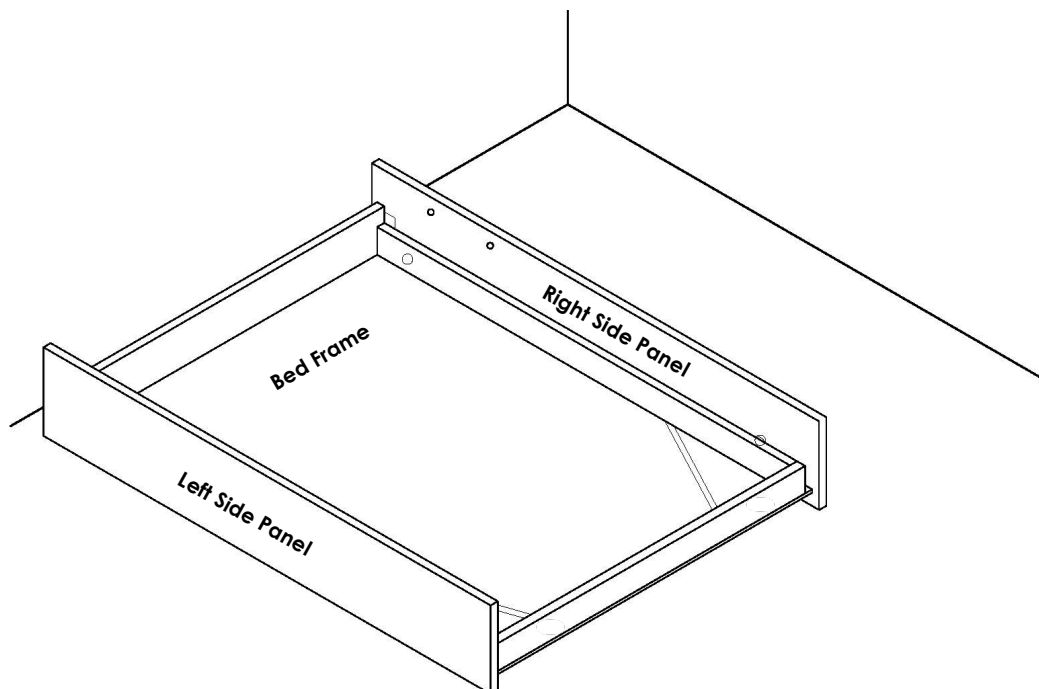
Step 5:

Put E-clip back on Pivot Bar by sliding E-clip into grooves on Pivot Bar until it snaps into place.



Step 6:

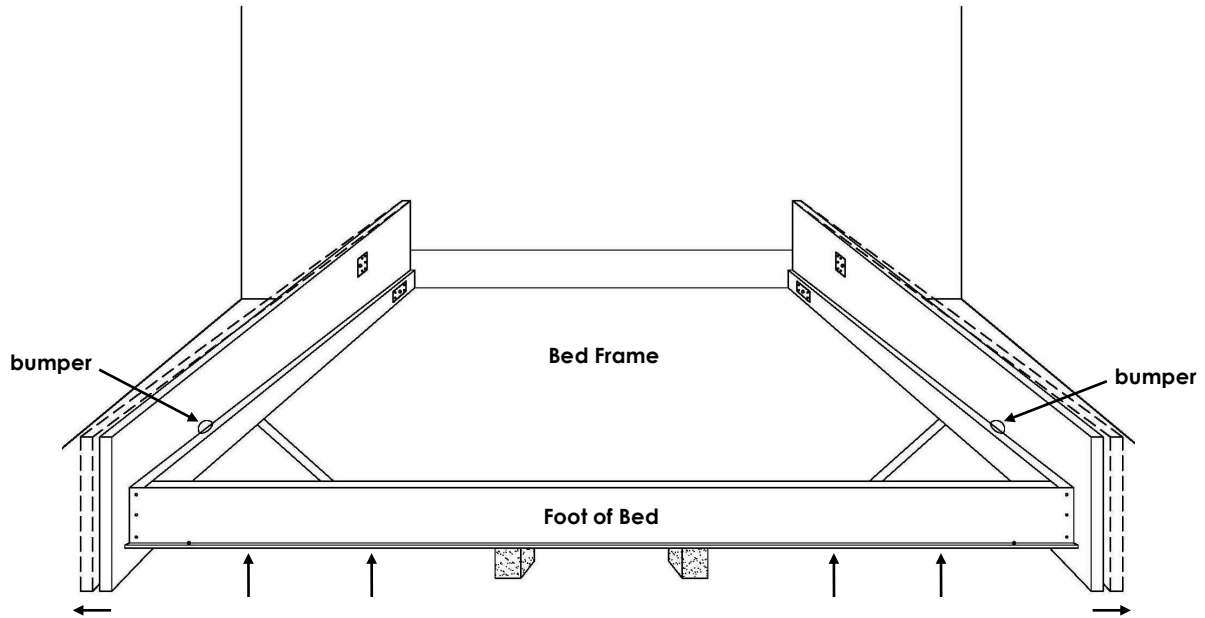
Repeat steps 3-5 on left side of bed for Left Side Panel installation. Both Side Panels are now attached to Bed Frame.



Step 7:

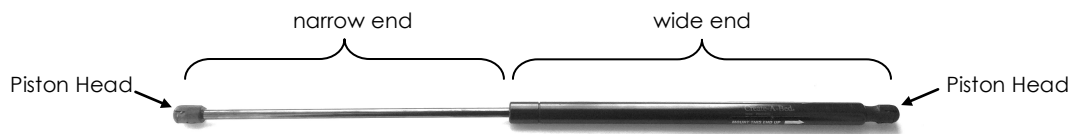
PARTS NEEDED: FOAM BLOCKS

At Foot of Bed, pivot both Side Panels slightly out and away from Bed Frame so bumpers on Side Panels are out of way. Lift Foot of Bed 6" to 8" and slide Foam Blocks from underneath to keep Bed Frame elevated for the following steps.

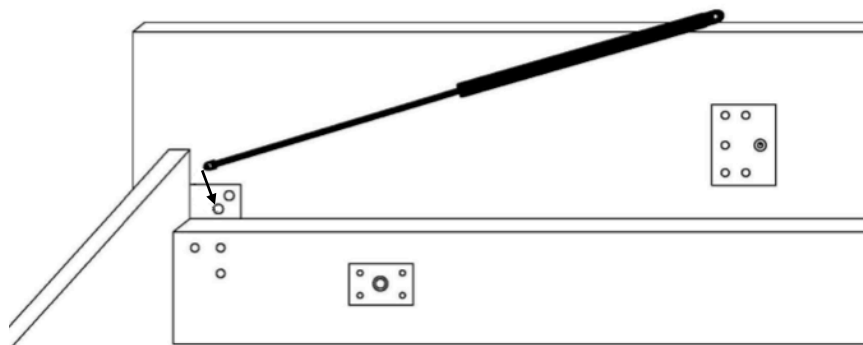


Step 8:

PARTS NEEDED: 2 AIR PISTONS

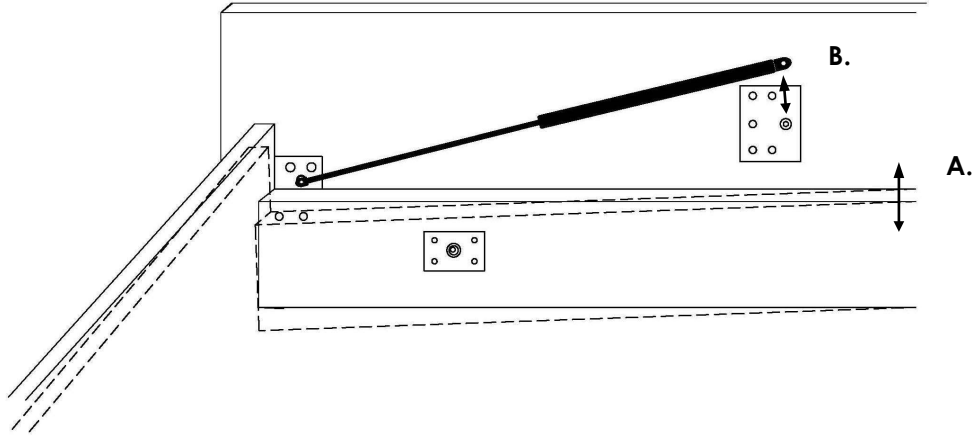


Pop Piston Head at narrow end of Air Piston onto Pivot Ball on Plate on Right Side of Bed Frame.



Step 9:

Have your helper stand at Foot of Bed and raise/lower Bed Frame (see A) to align Piston Head at wide end of Air Piston with Pivot Ball on Side Panel Plate, while you Pop Piston Head onto Pivot Ball (see B).



Step 10:

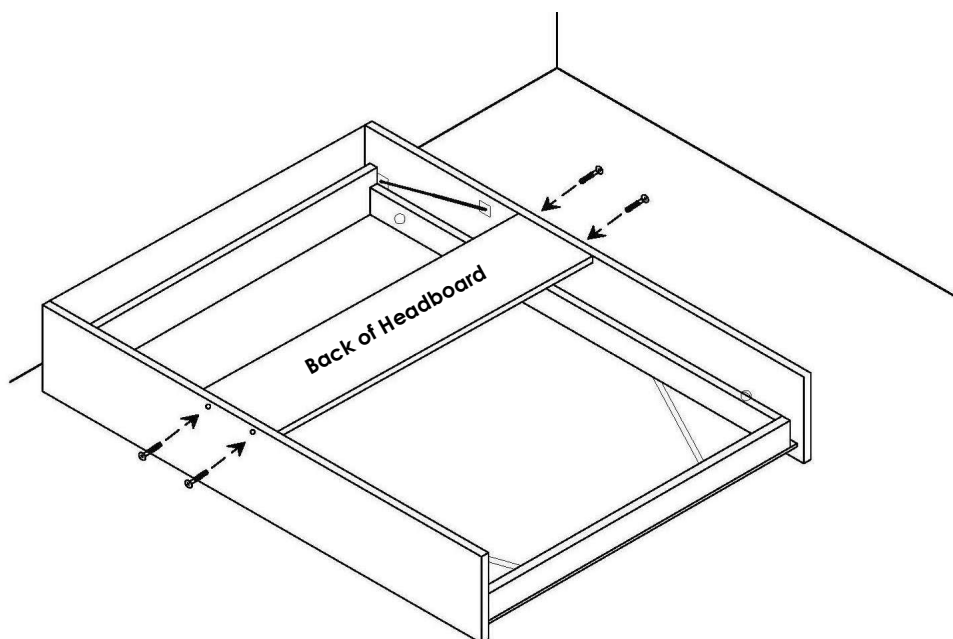
Repeat Step 8-9 to install second Air Piston on left side of bed.

Step 11:

PARTS NEEDED: HEADBOARD, 4 HEXAGONAL SCREWS, ALLEN WRENCH

Turn Headboard so back side faces up.* Align pre-drilled holes in Headboard with pre-drilled holes in Side Panels. Using Allen Wrench, screw 2 Hexagonal Screws into each side.

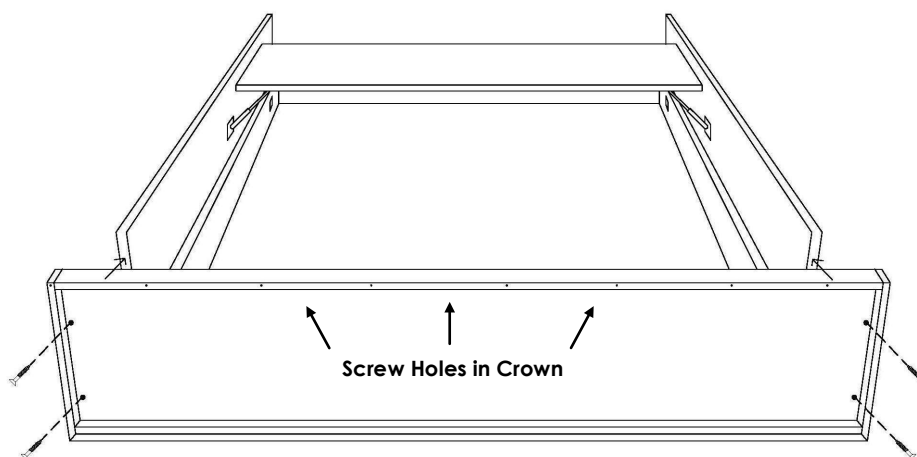
*Back of Headboard is unfinished while front is finished and displays a metal insignia.



Step 12:

PARTS NEEDED: CROWN, 4 ZINC SCREWS, POWER DRILL

Place Crown on edge with screw holes on top. Align pre-drilled holes in Crown with pre-drilled holes in Side Panels. Attach Crown to Side Panels by screwing 2 Zinc Screws into each side. Wall Bed is now fully assembled.



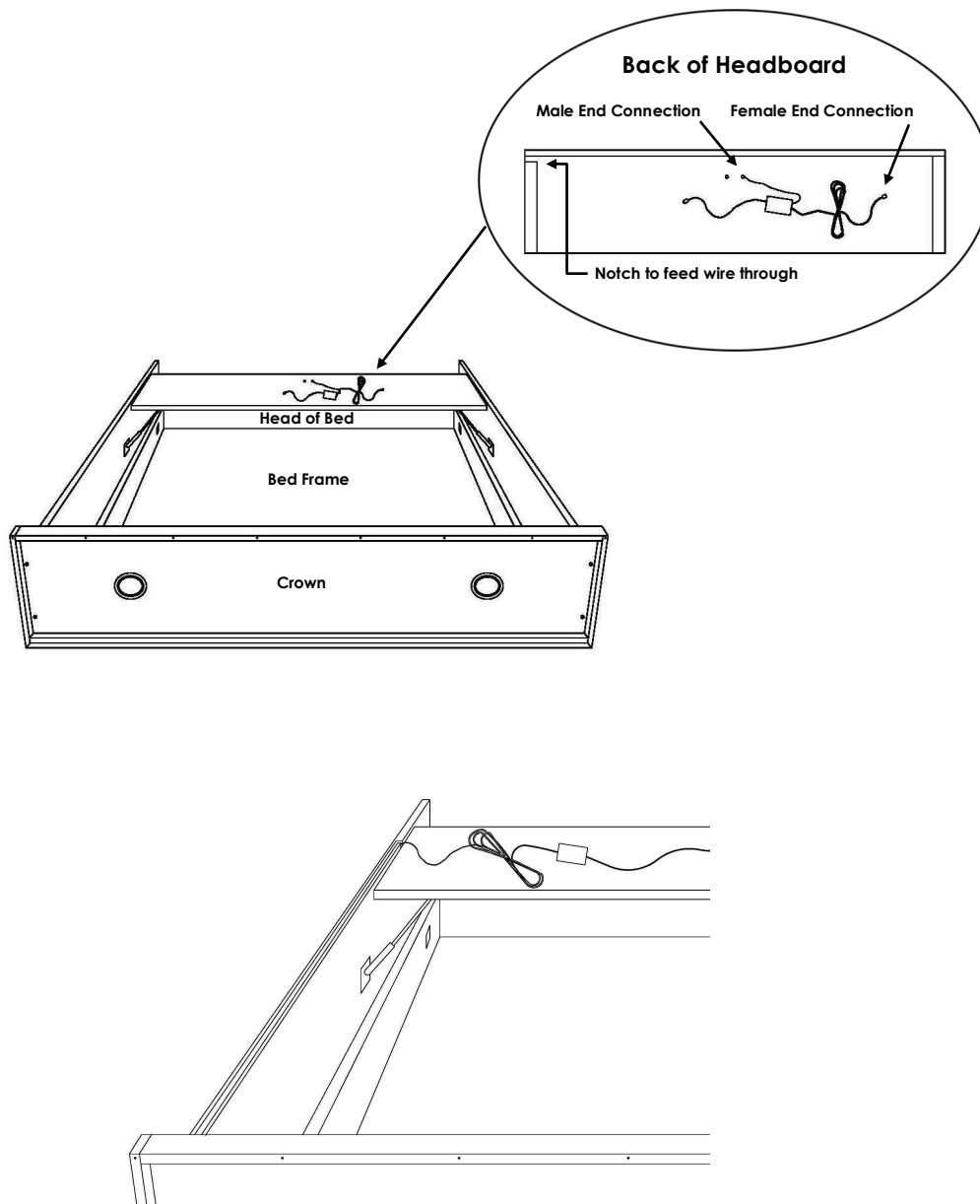
PART B: Light Kit Assembly

PARTS NEEDED: LIGHT KIT (comes attached to 3 bed pieces—Crown, Headboard, and Bed Frame at Head of Bed).

NOTE: If you did not purchase a Light Kit, continue to PART C: Wall Mounting Instructions.

Step 1:

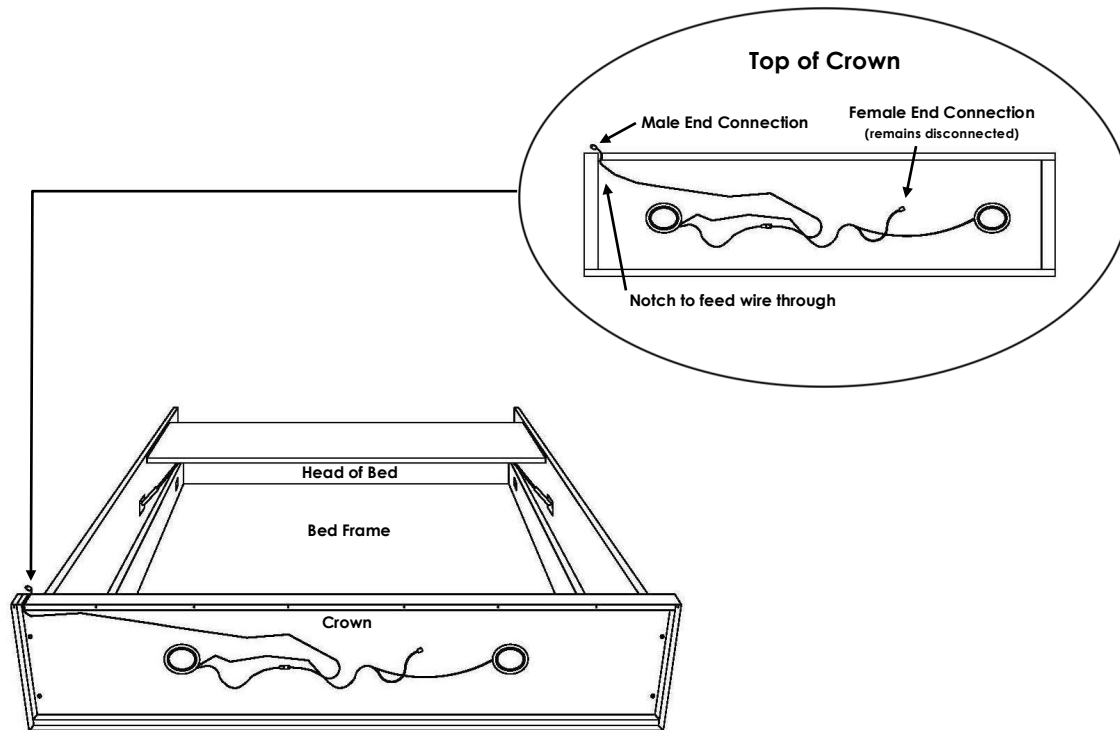
Run Female End of Cord from back of Headboard through notch and along groove on edge of Left Side Panel to top of Crown.



Step 2:

Connect Female End of Cord from back of Headboard to Male End of Cord on top of Crown.

NOTE: Female End of Cord on top of Crown does NOT connect to anything (remains disconnected).

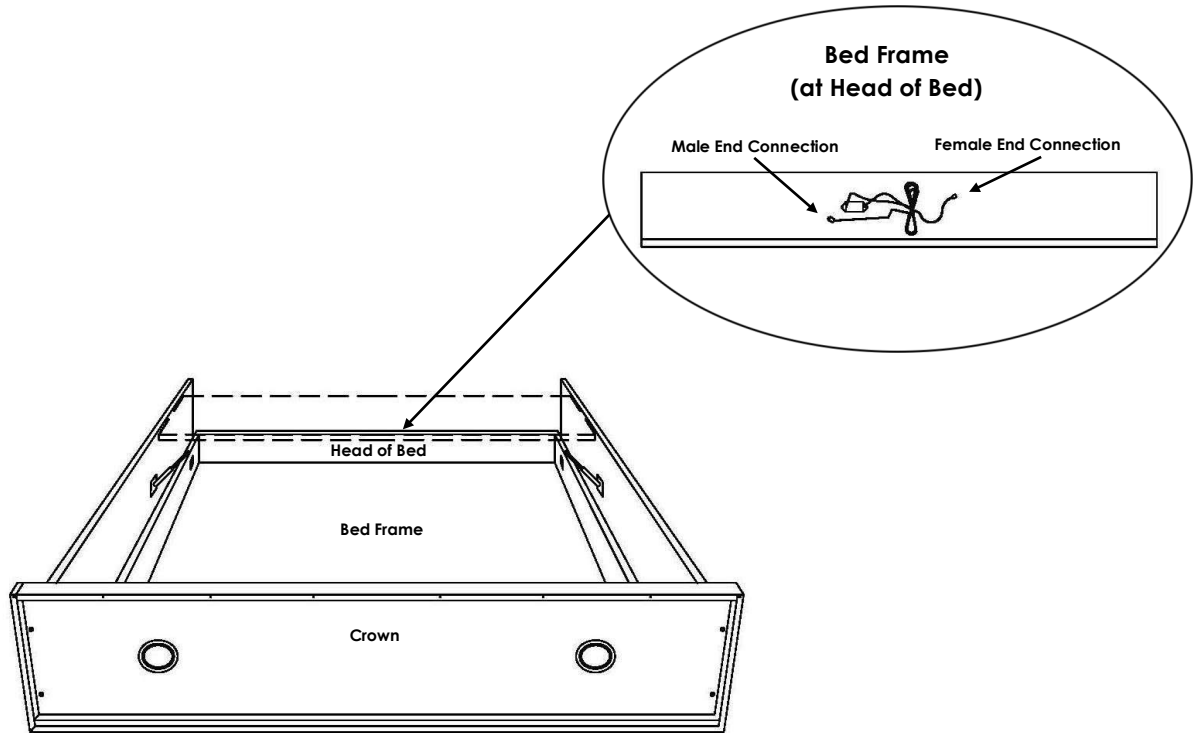


Step 3:

Connect Female End of Cord on Bed Frame to Male End of Cord on Headboard.

Step 4:

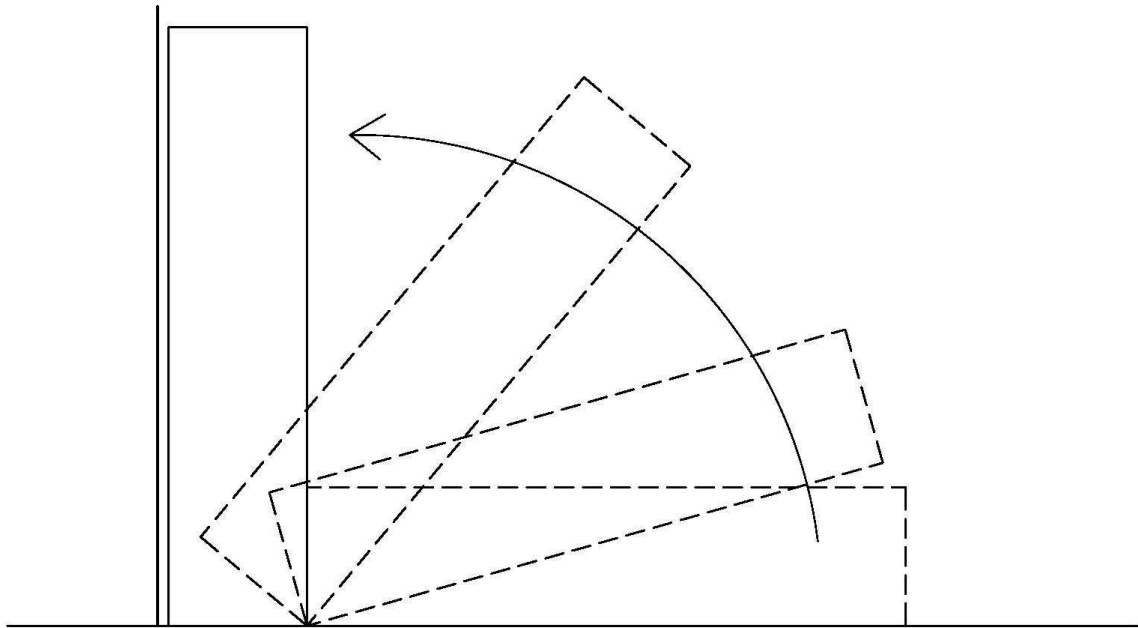
Connect Male End of Cord on Bed Frame to wall outlet.



PART C: Wall Mounting Instructions

Step 1:

Lift bed so it is upright and flush against wall.



WARNING!!

DO NOT OPEN BED!! Bed must not be opened until it is mounted to wall!!!

Step 2:

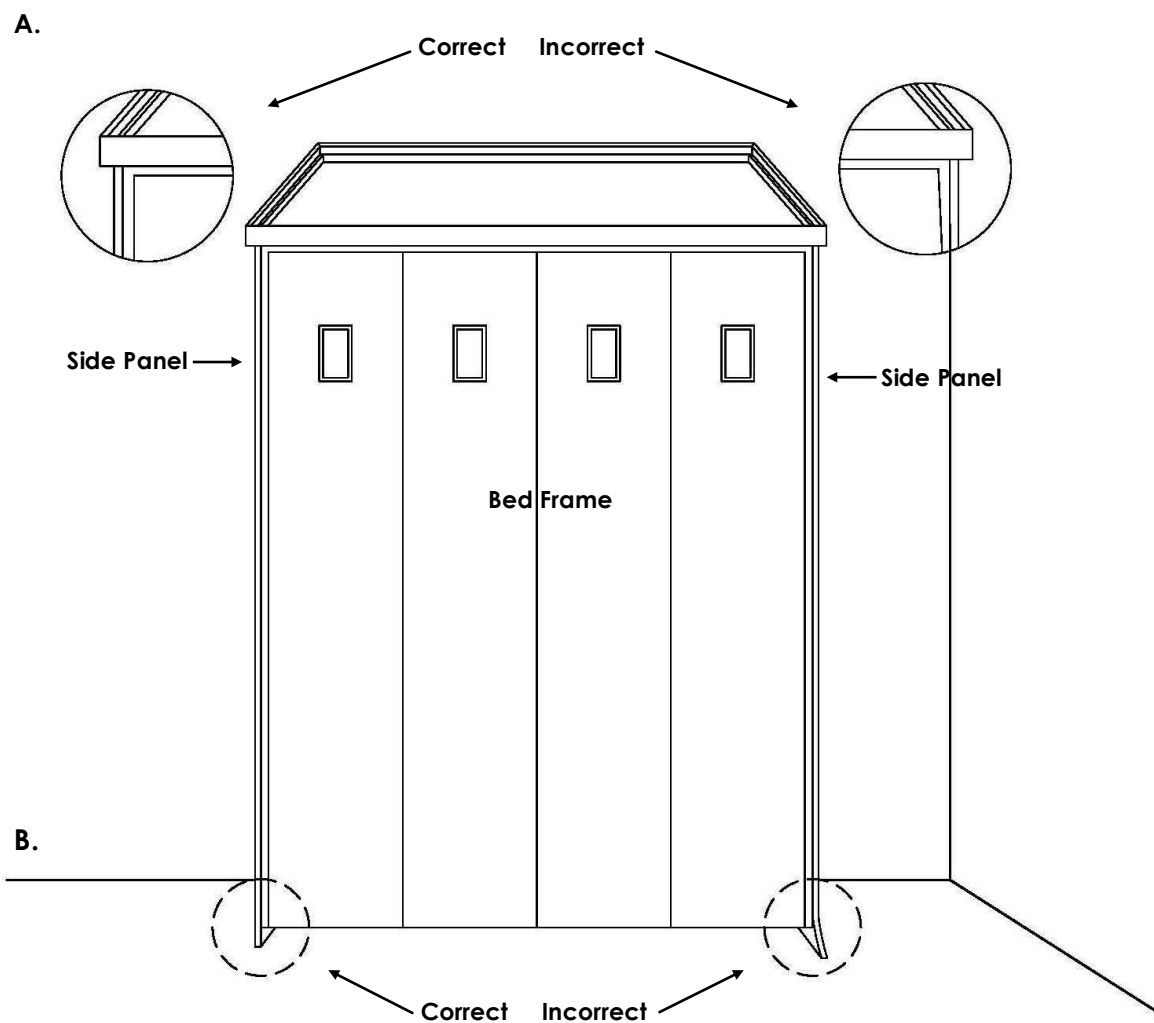
Ensure that Bed Frame is properly aligned with Side Panels by checking the following:

- A.** Is gap between Side Panels and Bed Frame parallel and equidistant on both sides?

IF NOT, firmly push Side Panels near top of bed on one side or the other until gap is even on both sides.

- B.** Are bottom edges of both Side Panels perpendicular with ground?

IF NOT, push in Side Panel from the base until straight.



The procedure for mounting Wall Bed on wall differs depending on the material that wall and studs are made of. The following pages provide instructions for mounting bed to 1) wood studs, 2) metal studs, and 3) masonry walls.

NOTE: For mounting on other wall/stud types, please call Customer Service at 1.800.975.8451.

1. Wood Stud Mounting Instructions

PARTS NEEDED: 3 SHEET ROCK SCREWS, POWER DRILL, 1/8" DRILL BIT, SCREWDRIVER BIT

Step 1:

Using 1/8" Drill Bit, pre-drill 4 holes through Crown, in line with marked studs. Screw 1 Sheetrock Screw through each pre-drilled hole and into wall. Bed is now secured to wall.

Step 2:

To ensure that bed is securely attached to studs, forcefully push and pull Bed Frame and confirm that there is no movement or shifting. Wall Bed should feel rock solid, like it is part of wall.

If you are not confident that your Wall Bed is installed securely, either remount or contact a professional installer for assistance.



WARNING!!

Ensure that Wall Bed has been PROPERLY AND SECURELY MOUNTED to wall!
Improperly installed Wall Beds can lead to SERIOUS INJURY.

2. Metal Stud Wall Mounting Instructions

PARTS NEEDED: 3 TOGGLE SCREWS, POWER DRILL, 3/4" METAL DRILL BIT, 1/8" DRILL BIT, SCREWDRIVER BIT

Step 1:

Move bed a few inches away from wall. Using 3/4" Metal Drill Bit, drill holes into wall under spot where studs are marked. Use 1/8" Drill Bit to pre-drill 3 holes in Crown in line with marked studs, and in studs behind 3/4" holes.

Step 2:

Hand thread a screw through each pre-drilled hole in Crown and screw a Toggle onto other end of each. Push bed against wall. Pinch Toggle together and push through hole in wall. Finish by using Power Drill to screw in tight and secure bed to wall.

Step 3:

To ensure that bed is securely attached to studs, forcefully push and pull Bed Frame and confirm that there is no movement or shifting. Wall Bed should feel rock solid, like it is part of wall.

If you are not confident that your Wall Bed is installed securely, either remount or contact a professional installer for assistance.



WARNING!!

Ensure that Wall Bed has been PROPERLY AND SECURELY MOUNTED to wall!
Improperly installed Wall Beds can lead to SERIOUS INJURY.

3. Masonry Wall Mounting Instructions

PARTS NEEDED: 3 SCREWS, POWER DRILL, 1/8" MASONRY DRILL BIT, 1/8" DRILL BIT, SCREWDRIVER BIT

Step 1:

Using a Masonry Bit, pre-drill 3 or 4 holes into brick wall under each spot where stud is marked.

Step 2:

Using regular Drill Bit, pre-drill 3 or 4 holes in Crown, in line with holes made in brick wall.

Step 3:

Using masonry screws, secure bed to wall with Power Drill.

Step 4:

To ensure that bed is securely attached to studs, forcefully push and pull Bed Frame and confirm that there is no movement or shifting. Wall Bed should feel rock solid, like it is part of wall.

If you are not confident that your Wall Bed is installed securely, either remount or contact a professional installer for assistance.



WARNING!!

Ensure that Wall Bed has been PROPERLY AND SECURELY MOUNTED to wall!
Improperly installed Wall Beds can lead to SERIOUS INJURY.